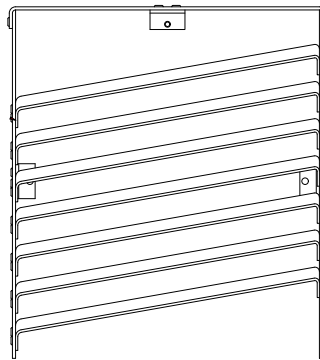
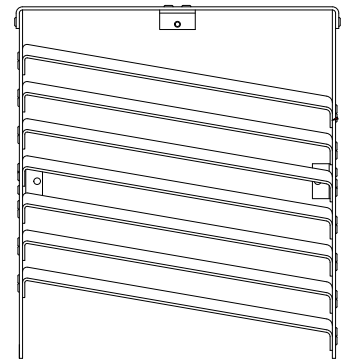


Service Bulletin
ALN073
Retain for future use.
Rev. E, 7/25/13

L-849 (REIL) FAA Baffle Installation Procedure KIT 94A0198 and 94A0198/LED



Right



Left

Disclaimer

This manual could contain technical inaccuracies or typographical errors. ADB Airfield Solutions reserves the right to revise this manual from time to time in the contents thereof without obligation of ADB Airfield Solutions to notify any person of such revision or change.

Details and values given in this manual have been compiled with care. They are not binding, however, and ADB Airfield Solutions disclaims any liability for damages or detriments suffered as a result of reliance on the information given herein or the use of products, processes or equipment to which this manual refers. No warranty is made that the use of the information or of the products, processes or equipment to which this manual refers will not infringe any third party's patents or rights.

Warranties

Products of ADB Airfield Solutions manufacturer are guaranteed against mechanical, electrical, and physical defects (excluding lamps) for a period of one year from the date of installation or a maximum of 18 months from date of shipment and are guaranteed to be merchantable and fit for the ordinary purposes for which such products are made.

ADB Airfield Solutions will correct by repair or replacement, at its option, equipment or parts which fail because of mechanical, electrical or physical defects, provided that the goods have been properly handled and stored prior to installation, properly installed and properly operated after installation, and provided further that Buyer gives ADB Airfield Solutions written notice of such defects after delivery of the goods to Buyer. Refer to the Safety section for more information on Material Handling Precautions and Storage precautions that must be followed.

ADB Airfield Solutions reserves the right to examine goods upon which a claim is made. Said goods must be presented in the same condition as when the defect therein was discovered. ADB Airfield Solutions further reserves the right to require the return of such goods to establish any claim.

ADB Airfield Solutions' obligation under this guarantee is limited to making repair or replacement within a reasonable time after receipt of such written notice and does not include any other costs such as the cost of removal of defective part, installation of repaired product, labor or consequential damages of any kind, the exclusive remedy being to require such new parts to be furnished.

ADB Airfield Solutions' liability under no circumstances will exceed the contract price of goods claimed to be defective. Any returns under this guarantee are to be on a transportation charges prepaid basis. For products not manufactured by, but sold by ADB Airfield Solutions, warranty is limited to that extended by the original manufacturer.

This is ADB Airfield Solutions' sole guarantee and warranty with respect to the goods; there are no express warranties or warranties of fitness for any particular purpose or any implied warranties of fitness for any particular purpose or any implied warranties other than those made expressly herein. All such warranties being expressly disclaimed.

Trademarks

General notice: other product names used here are for identification purposes only and may be trademarks of their respective companies.

Proprietary Information

This information carrier contains proprietary information, which shall not be used for other purposes than those for which it has been released, nor be reproduced or disclosed to third parties without the prior written consent of ADB Airfield Solutions.

No part of this publication may be reproduced, stored in a retrieval system, or transmitted in any form or by any means, mechanical, photocopy, recording, or otherwise, without the prior written permission of ADB Airfield Solutions. No patent liability is assumed with respect to the use of the information contained herein. Neither is any liability assumed for damages resulting from the use of the information contained herein.

ADB Airfield Solutions shall not be liable to the purchaser of this product or third parties for damages, losses, costs, or expenses incurred by purchaser or third parties as a result of accident, misuse, or abuse of this product or unauthorized modifications, repairs, or alterations to this product. ADB Airfield Solutions shall not be liable against any damages arising from the use of any options or parts other than those designated as approved products.

Copyright © 2010 by ADB Airfield Solutions. All rights reserved.

1.0 REIL Baffle Kit

This bulletin describes the field installation procedure to attach FAA style baffle assembly to the L-849 lamp housing. The baffles are designed to meet the requirements for REIL baffles assemblies as described in FAA Advisory Circular, AC 150/5340-14B, Section 2, Fig 1.

The baffles are designed to cut-off the top portion of the light beam. The baffles are not adjustable. See Fig 2 on page 6 of AC 150/5340-14B for the proper aiming and layout of the REILs.

1.1 Safety

This section contains general safety instructions for installing and using ADB Airfield Solutions equipment. Some safety instructions may not apply to the equipment in this manual. Task- and equipment-specific warnings are included in other sections of this manual where appropriate.

1.1.1 To use this equipment safely:



WARNING

Read installation instructions in their entirety before starting installation.

- Refer to the FAA Advisory Circular AC 150/5340-26, Maintenance of Airport Visual Aids Facilities, for instructions on safety precautions.
- Observe all safety regulations. To avoid injuries, always disconnect power before making any wiring connections or touching any parts. Refer to FAA Advisory Circular AC 150/5340-26.
- Become familiar with the general safety instructions in this section of the manual before installing, operating, maintaining or repairing this equipment.
- Read and carefully follow the instructions throughout this manual for performing specific tasks and working with specific equipment.
- Make this manual available to personnel installing, operating, maintaining or repairing this equipment.
- Follow all applicable safety procedures required by your company, industry standards and government or other regulatory agencies.
- Install all electrical connections to local code.
- Use only electrical wire of sufficient gauge and insulation to handle the rated current demand. All wiring must meet local codes.
- Route electrical wiring along a protected path. Make sure they will not be damaged by moving equipment.
- Protect components from damage, wear, and harsh environment conditions.
- Allow ample room for maintenance, panel accessibility, and cover removal.
- Protect equipment with safety devices as specified by applicable safety regulations.
- If safety devices must be removed for installation, install them immediately after the work is completed and check them for proper functioning prior to returning power to the circuit.

1.1.1.1 Additional Reference Materials:

- NFPA 70B, Electrical Equipment Maintenance.
- NFPA 70E, Electrical Safety Requirements for Employee Workplaces.
- ANSI/NFPA 79, Electrical Standards for Metalworking Machine Tools.
- OSHA 29 CFR, Part 1910, Occupational Health and Safety Standards.
- National and local electrical codes and standards.

1.1.2 Qualified Personnel

The term **qualified personnel** is defined here as individuals who thoroughly understand the equipment and its safe operation, maintenance and repair. Qualified personnel are physically capable of performing the required tasks, familiar with all relevant safety rules and regulations and have been trained to safely install, operate, maintain and repair the equipment. It is the responsibility of the company operating this equipment to ensure that its personnel meet these requirements.

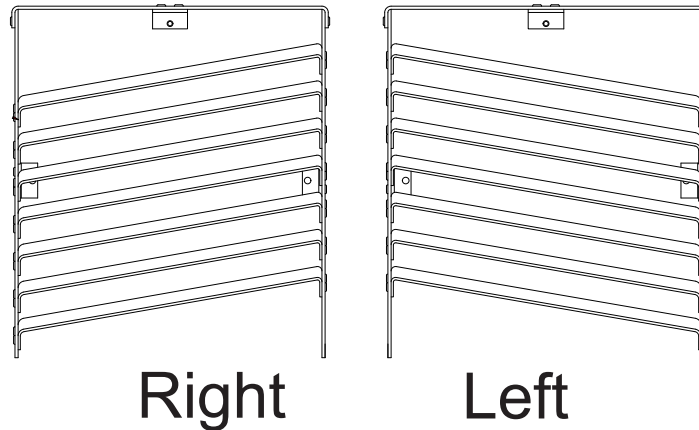
Always use required personal protective equipment (PPE) and follow safe electrical work practices.

1.2 REIL Baffle Kit

Special Tools And Equipment Required (not supplied):

- Small standard screwdriver
- Socket for #8-32 hex head nut
- Ratchet for #8-32 hex head socket
- Electric or Air drill
- 3/16 drill bit

Figure 1: Baffle Kits



REIL Baffle Kit

1.2.1 Xenon REIL Baffle Kit

Retrofit Kit 94A0198 contains the following components:

Description	Part Number	Qty
Baffle Assembly - Left Hand	44D2408-1	1
Baffle Assembly - Right Hand	44D2408-2	1
Spacer, .25 OD x 1/2" long	66A0016	4
Screw, pan hd. #8-32x3/8	64A0191/6	8
Nut, hex #8-32	65A0043/3	2
Flatwasher, #8	66A0015/15	10
Lockwasher, split #8	66A0026/15	12
Screw, pan hd #8-32x5/8	64A0191/10	2

1.2.1.1 Assembly Steps:



WARNING

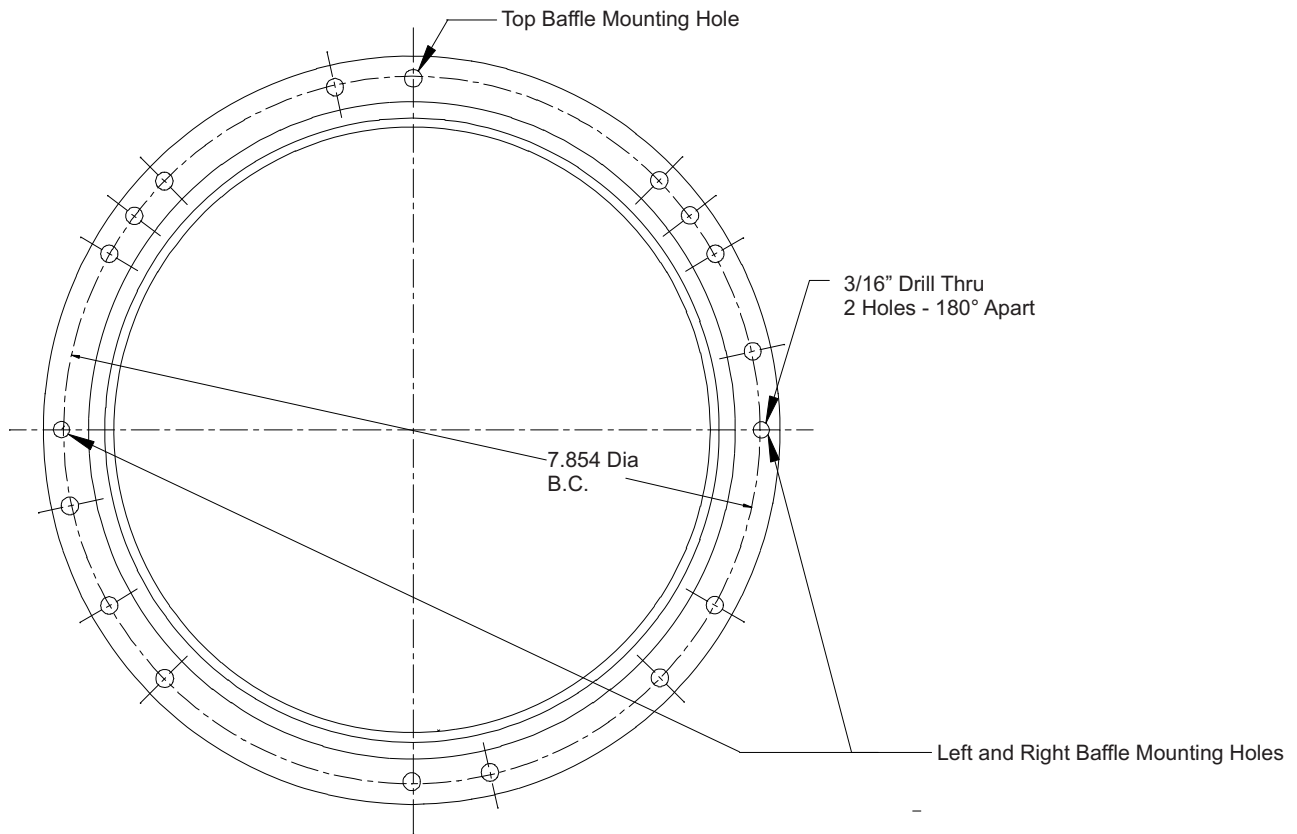
- Disconnect and lock out electrical power.
- Remove all power to L-849 before attempting to make any modifications.

1. Two additional holes must be drilled in to the flange of the flash head before the baffles can be installed. See Figure 2 for location of the new holes on the left and right side of the flash head flange. The center top hole is already in the flange and is ready to use.
NOTE: The baffle fins are slanted with the low end of the fin pointing toward the centerline of the runway. Therefore there is a LEFT and RIGHT hand baffle assembly. Left and Right is as viewed by the pilot on approach.
2. Locate the three mounting clips on the left (44D2408-1) or the right (44D2408-2) sides of baffle assembly. Attach spacer to mounting clip using #8-32 x 3/8 Lg pan head screws, #8 split lockwashers, and #8 flatwashers as shown in Figure 3.
3. Insert flashing head assembly into baffle assembly as shown in Figure 3 aligning mounting holes (Figure 2 and Figure 3) in flashing head assembly with left and right spacers and top mounting clip.

- Secure flashing head assembly to left and right mounting clips by attaching to spacer using #8-32 x 3/8 Lg pan head screws and #8 flatwashers as shown in Figure 3.
- Secure flashing head assembly to top mounting clip using #8-32 x 5/8 Lg pan head screw, #8 split lockwashers, #8 flatwasher, and #8-32 hex nut as shown in Figure 3.
- Assembly is complete. Repeat procedure for the other baffle.

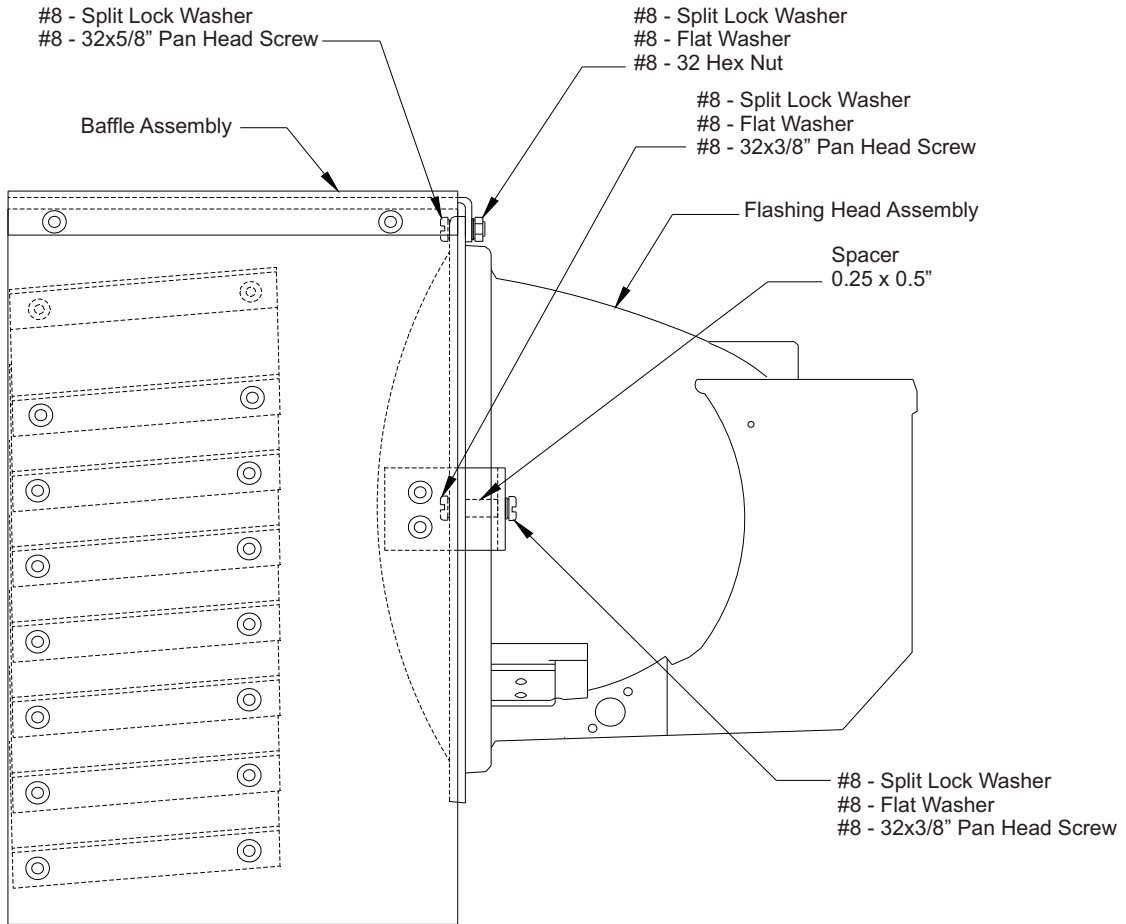
NOTE: Any deviations from the above instructions will void the warranty.

Figure 2: Hole Location in Flash Head Assembly



REIL Baffle
Kit

Figure 3: Baffle and Flash Head Assembly



REIL Baffle
Kit

1.2.2 LED REIL Baffle Kit

Retrofit Kit 94A0198/LED contains the following components:

Description	Part Number	Qty
Baffle Assembly - Left Hand	44D2408-1	1
Baffle Assembly - Right Hand	44D2408-2	1
Nut, hex #8-32	65A0043/3	6
Flatwasher, #8	66A0015/15	12
Lockwasher, split #8	66A0026/15	12
Screw, pan hd #8-32x5/8	64A0191/10	6

1.2.2.1 Assembly Steps:



WARNING

- Disconnect and lock out electrical power.
- Remove all power to L-849 before attempting to make any modifications.

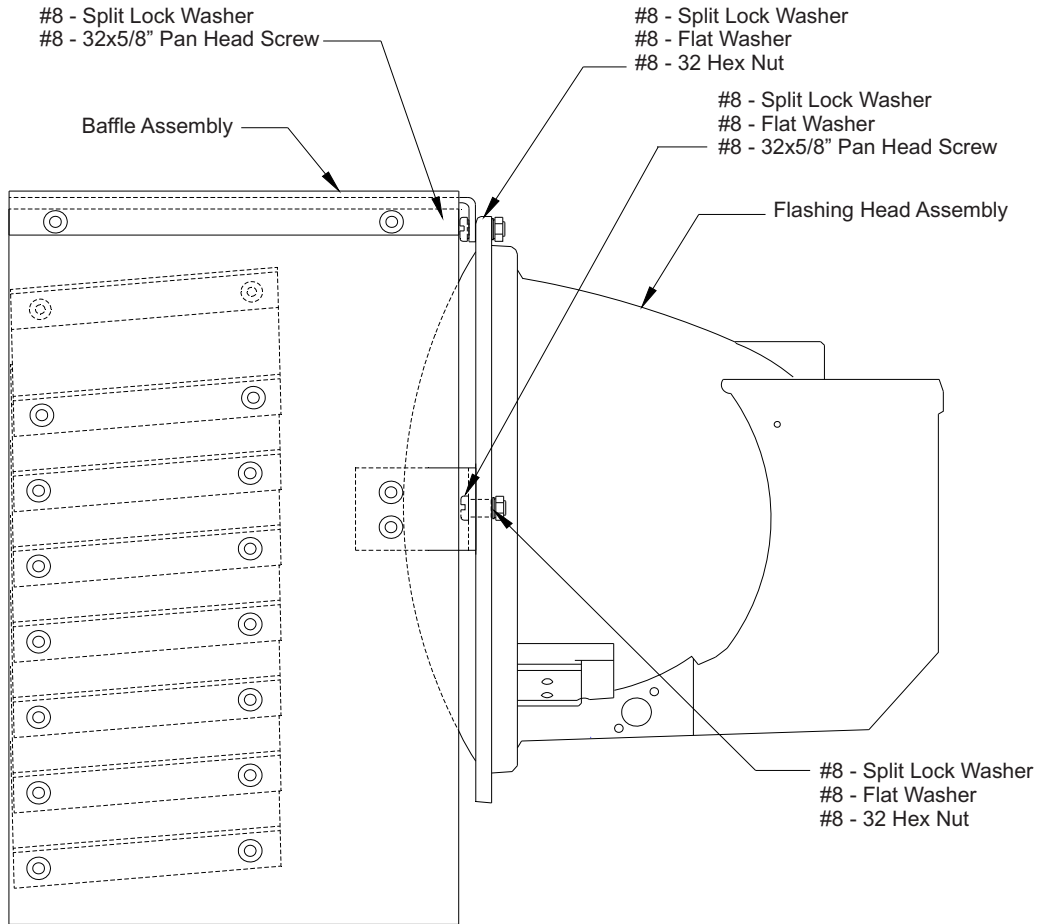
Install the Baffle Assembly

NOTE: The baffle fins are slanted with the low end of the fin pointing toward the centerline of the runway. Therefore there is a LEFT and RIGHT hand baffle assembly. Left and Right is as viewed by the pilot on approach.

1. Locate the three mounting brackets on the top, the left and the right sides of baffle assembly.
2. Insert flashing head assembly into baffle assembly as shown in Figure 4 aligning mounting holes (Figure 4) in flashing head assembly with left, right and top mounting bracket.
3. Secure flashing head assembly to top, left and right mounting brackets using #8-32 x 5/8 Lg pan head screws and #8 flatwashers, #8 split lockwashers, and #8-32 hex nut as shown in Figure 4.
4. Assembly is complete. Repeat procedure for the other baffle.

NOTE: Any deviations from the above instructions will void the warranty.

Figure 4: Baffle and Flash Head Assembly



REIL Baffle
Kit

Registered office:

ADB Airfield Solutions LLC
977 Gahanna Parkway
Columbus, OH 43230
USA
Phone: +1 (614) 8611 304
Fax: +1 (614) 8642 069

Other addresses:

ADB Airfield Solutions Ltd.
5500 North Service Road, Suite 1108
Burlington, Ontario L7L 6W6
Canada
Phone: +1 (905) 331 6887
Fax: +1 (905) 331 9389

ADB Airfield Technologies Ltd.
01A Unit, 9F, LSH Plaza
8, Wangjing Jie
Chaoyang District
Beijing 100102
P.R. China
Phone: +86 10 8476 0106
Fax: +86 10 8476 0090

ADB N.V.
Dubai Silicon Oasis
Wing D - Office D-309
P.O. Box 341218
United Arab Emirates
Phone: + 971 4372 4970
Fax: + 971 4372 4975

ADB N.V./S.A.
39/47 Boulevard Ornano
93200 Saint-Denis

France
Phone: +33 (1) 4922 9250
Fax: +33 (1) 4922 9255

ADB Airfield Solutions GmbH & Co. KG
Von-der-Tannstr. 31
90439 Nürnberg
Germany
Phone: +49 (911) 9239 1287
Fax: +49 (911) 2852 582

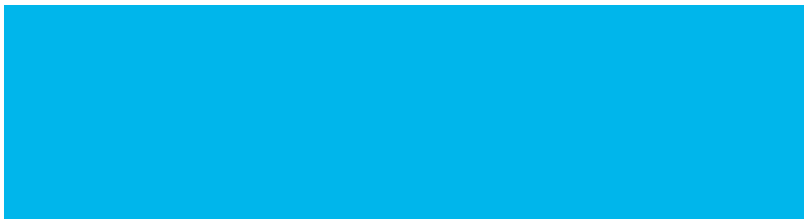
ADB N.V.
Asia Pacific Regional HQ
Unit C-9.3.1, Level 9, Block C
Mines Waterfront Business Park
No. 3, Jalan Tasik
The Mines Resort City
43300 Seri Kembangan Selangor
Malaysia
Phone: +603 8941 4868
Fax: +603 8942 4869

ADB Airfield Solutions Netherlands
Prinses Beatrixlaan 614
Office D3.14
2595 BM Den Haag
The Netherlands
Phone: +31 (0)70 304 3611
Fax: +31 (0)70 333 8094

ADB Airfield Solutions, Ltd.
2nd Floor, 3 Rivonia Village
Cnr Mutual Road and Rivonia Boulevard
South
Rivonia 2128
South Africa
Phone: +27 (11)234 6768
Fax: +27 (11)234 6739

ADB
Unit 44, Business Innovation Centre
Binley Business Park
Harry Weston Road
Coventry, CV3 2TX
United kingdom
Phone: +44 (0)1455 883130
Fax: +44 (0)1455 883179

ADB
Airfield Solutions
Leuvensesteenweg 585
B-1930 Zaventem
Belgium
Phone: +32 (2) 722 17 11
Fax: +32 (2) 722 17 64
info.adb@adb-air.com
www.adb-air.com



**ADB Airfield
Solutions USA**

977 Gahanna Pkwy
Columbus, Ohio 43230 USA
Telephone: (+1 614-861-1304)
Fax: +1 614-864-2069
www.adb-airfieldsolutions.com

The information contained in this document is subject to change without notice. ADB reserves the right to make changes and improvements to its products and assumes no responsibility for making these modifications on any equipment previously sold.

ALN073 © 2013 ADB Airfield Solutions All Rights Reserved